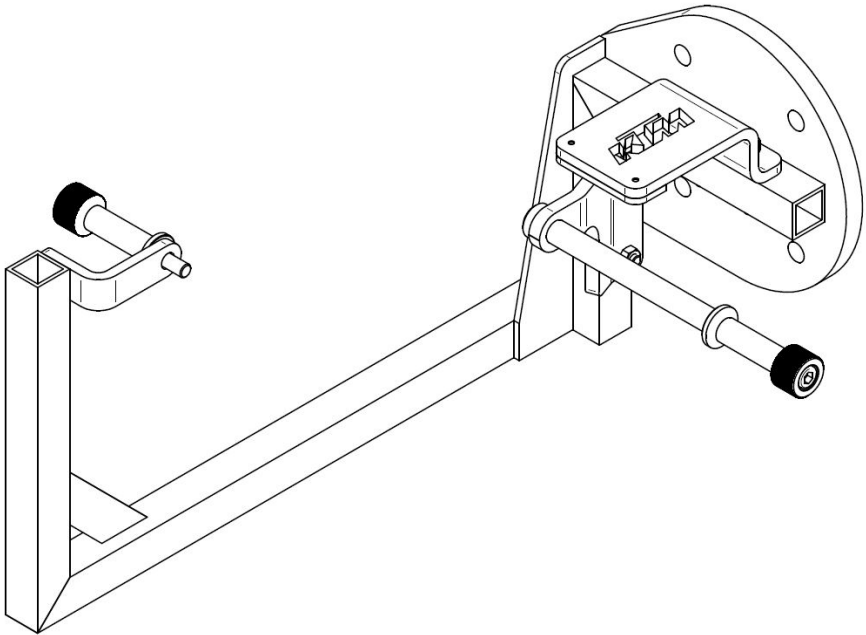


Operating Manual

Assembly Fixture

635.29.002.000

EN



Read this operating manual attentively before using the load handling device for the first time. It provides you with important information about safety, use and maintenance. This protects you and prevents damage. Retain the operating manual and pass it on to subsequent owners if applicable.

(The original operating manual is in German.)

Table of contents

1. Definition of terms and basis	3
1.1. Definition of terms	3
1.2. Basis.....	3
2. Safety instructions.....	3
2.1. Warnings and symbols.....	3
2.2. Operating company duty of care	4
2.3. Proper use	4
2.4. Foreseeable misuse	4
2.5. User qualifications.....	5
2.6. Fundamental safety measures.....	5
3. Transportation and storage.....	6
4. Operation	6
4.1. Commissioning	6
4.2. Description	7
4.3. Application and limits	7
4.4. Operation	8
4.5. Maintenance and cleaning	8
5. Inspection.....	9
5.1. Maintaining proof of inspections.....	9
5.2. Inspection criteria.....	9
5.3. Template for proof of inspection.....	10
EC declaration of conformity	11

Manufacturer address:
 Werner Weitner GmbH
 Sollnau 14
 85072 Eichstätt
 Germany

info@werner-weitner.com

1. Definition of terms and basis

1.1. Definition of terms

❖ **Skilled worker:**

A user who, on the basis of training, has specialised knowledge of the handling of sling gear and load handling devices as well as training certificates for specialised tasks.

❖ **Qualified person:**

A person who, based on technical training and experience, has sufficient knowledge to evaluate the various sling gear and load handling devices, and is sufficiently familiar with the applicable state occupational health and safety regulations, Employer's Liability Insurance Association regulations and the generally accepted state of the art (for example DGUV rules, DIN-EN standards, DIN standards, ISO standards) to evaluate the occupational health and safety state of sling gear and load handling devices.

1.2. Basis

- ❖ Machinery Directive 20006/42/EC
- ❖ DIN EN 1494: Mobile or portable lifting devices and related equipment
- ❖ DIN EN 13155: Cranes - Safety - Non-fixed load lifting attachments
- ❖ DIN EN ISO 12100: Safety of machinery
General principles for design - Risk assessment and risk reduction
- ❖ DIN 15003: Lifting appliances; load suspending devices, loads and forces; definitions
- ❖ DIN EN 82079-1: Preparation of instructions for use
- ❖ DGUV 100-500: Operation of work equipment

2. Safety instructions

2.1. Warnings and symbols

Hazards and information are classified and represented as follows in this operating manual:

DANGER

Designates a hazard with a high risk level that can lead to death or serious injury if it is not avoided.

WARNING

Designates a hazard with a moderate risk level that can lead to death or serious injury if it is not avoided.

CAUTION

Designates a hazard with a low risk level that can lead to minor or moderate injury or damage to the product or in its environment if it is not avoided.



NOTICE!

Designates user tips and other useful information.

2.2. Operating company duty of care

The fixture was designed and built under consideration of a risk assessment and after careful selection of the applicable standards as well as additional technical specifications. It therefore corresponds to the state of the art and ensures the highest level of safety.

However, this level of safety can only be reached in operational practice if all required measures are implemented. Planning these measures and verifying their execution is part of the duty of care of the operating company for the specialised tool.

The operating company has to supplement this operating manual with instructions, including supervision and reporting obligations, to take into account operational particularities, for example regarding the organisation of work, operational procedures and the personnel that is deployed.

In particular, the operating company has to ensure that:

- ❖ The fixture is only used as intended.
- ❖ The fixture is only used in proper, functioning condition and, in particular, the functionality of the safety devices is checked regularly.
- ❖ The required protective equipment for the operating, maintenance and repair personnel is on hand and used.
- ❖ The operating manual, complete and in legible condition, is always available at the location where the load handling device is used.
- ❖ The load handling device is only operated, maintained and repaired by qualified and authorised personnel.
- ❖ This personnel is instructed regularly in all relevant aspects of occupational health and safety and environmental protection, and is familiar with the operating manual and in particular the safety instructions it contains.
- ❖ All safety notices and warnings on the load handling device remain in legible condition and are not removed.

DANGER

Making structural changes to the load handling device is prohibited.

2.3. Proper use

- ❖ The fixture is intended for lifting certain loads.
- ❖ Complying with the manufacturer's instructions for operation, maintenance and upkeep as well as repair guidelines is mandatory for proper use.
- ❖ Exceeding the specified limit values is not permitted.
- ❖ In case of damage, the fixture may only be used again after it has been repaired by a qualified person. Only original replacement parts may be used.
- ❖ Failing to comply with these provisions voids all warranty claims.
- ❖ The manufacturer assumes no liability in case of unauthorised conversion of the components.
- ❖ The allowable ambient temperature for storage and operation is -20°C to +60°C.
- ❖ Using the fixture in potentially explosive atmospheres is not permitted.



NOTICE!

Safe operation is not assured if the fixture is not used as intended. All cases of personal injury and damage to property caused by improper use are the sole responsibility of the operating company.

2.4. Foreseeable misuse

The following applications are not permitted:

- ❖ Breaking free of loads.
- ❖ Dragging loads along the floor.
- ❖ Use in potentially explosive environments, unless the load handling device has been modified for this purpose and identified with corresponding notices.
- ❖ Transporting persons and/or animals.
- ❖ Use while persons are present underneath a suspended load.

2.5. User qualifications

For safety reasons, only trained or instructed skilled workers are permitted to work with this fixture. The responsibilities of personnel have to be clearly established. If semi-skilled workers are deployed, they may only work under the supervision of an experienced skilled worker. The operating company is liable for all cases of personal injury or damage to property if this provision is not followed. The operating company is obligated to clearly establish the responsibilities of personnel for operation, inspection and maintenance.

DANGER

To avoid severe injuries, the following must be observed when working with the fixture:

- ❖ Use personal protective equipment
- ❖ Tie back long hair
- ❖ No wearing of loose clothing or jewellery
- ❖ Persons are not permitted to be present underneath a suspended load under any circumstances

2.6. Fundamental safety measures

- ❖ Observe the user information (documentation).
- ❖ Observe the warnings on the device and in the user information.
- ❖ Observe the safety distances.
- ❖ Ensure adequate lighting and good visibility.
- ❖ Use the fixture as intended.
- ❖ Never exceed the specified load bearing capacity of the fixture.
- ❖ Transporting persons is not permitted under any circumstances. The fixture is intended solely for moving the loads specified in the repair guideline.
- ❖ Observe the national accident prevention regulations (UVV).
- ❖ Observe DGUV rule 100-500 for the form-fitting and friction-fitting attachment of loads.
- ❖ Observe the respective national regulations for use outside of Germany.
- ❖ After the fixture has not been used for a longer period of time, conduct a visual inspection of all components that are essential for proper functioning. Replace damaged components with original replacement parts.
- ❖ Do not use the fixture if it is defective.
- ❖ Stop the operation immediately and eliminate the defect.
- ❖ Report damage and defects to the responsible person immediately.
- ❖ Warn persons in the immediate vicinity about work with the fixture.
- ❖ Stop lowering the load when the load hits the ground or is prevented from lowering further.
- ❖ Be sure to prevent impacts of the load or hook.

DANGER

The following is not permitted:

- ❖ Exceeding the rated load.
- ❖ Manipulation of the devices in any form.
- ❖ Continuing to use stretched or damaged chains.
These must be replaced immediately with new original parts.

3. Transportation and storage

CAUTION

Transportation may only be carried out by qualified personnel. No liability is assumed for damage due to improper transportation and/or storage.

- ❖ The fixture is inspected and properly packaged prior to delivery.
- ❖ When the fixture is received, the packaging has to be inspected for damage.
- ❖ Only suitable means of transport may be used for the transportation of the fixture.
- ❖ In no case may the fixture be tipped or tossed.
- ❖ The fixture must be stored in a clean, dry place.
- ❖ The fixture must be protected against dirt, moisture and corrosion.
- ❖ The fixture should be inspected for integrity prior to storage.

4. Operation

The **635.29.002.000 assembly fixture** is a load handling device for lifting and turning defined motorcycle motors.

The maximum allowable load bearing capacity is 60kg.

Application is only permitted in the defined configuration with the 612.29.001.000 universal engine base.

The load handling device is attached to the universal engine base with four mounting screws (item 4).

Before beginning the activity, the load must be slid onto the shaft (item 2) and secured with the clamping screws (item 3).

Using this load handling device or parts of this load handling device individually is not permitted.

→ NOTICE!

Applications and pulling directions other than those shown are not intended and therefore prohibited!

4.1. Commissioning

Read this operating manual before putting the fixture into use for the first time.

Observe the applicable national accident insurance provisions, regulations and the information in this manual.

Verify the following prior to initial use:

- ❖ That inspection and test certificates are on hand (acceptance record, declaration of conformity etc.)
- ❖ That the identification and information on the sling gear/load handling device corresponds to the information on the inspection and test certificates.
- ❖ That all details of the sling gear/load handling device have been transferred to an inspection log book.

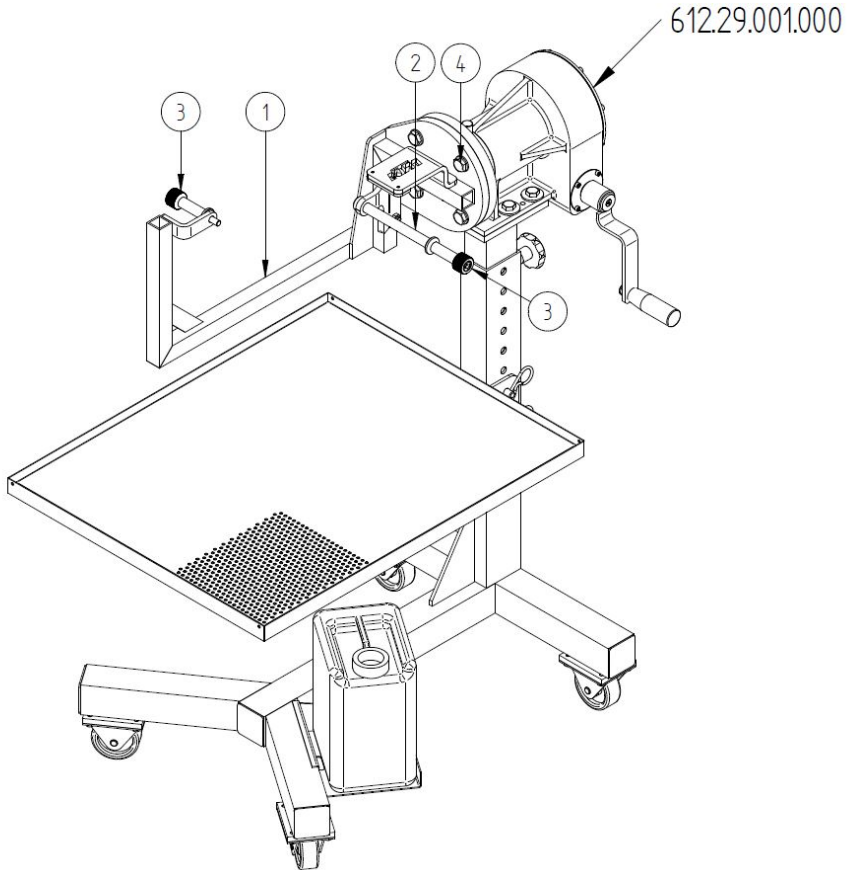
Ensure that all packaging materials, tools, implements etc. have been removed from the load handling device. All safety devices must be installed and functioning.

Use the personal protective equipment.

Check the following points:

- ❖ Visual inspection
- ❖ No other persons in the danger area

4.2. Description



Item	Designation	Standard/comments	Units
1	Bail		1
2	Shaft		1
3	Clamping screw		2
4	Mounting screw	M14x35 / torque value: 60 Nm Not part of the assembly fixture	4

4.3. Application and limits

Attachment to the load

To ensure safe handling, the attachment to the load must be carried out diligently and in compliance with the maximum limit values.

4.4. Operation

Preparation and inspection

The components must be inspected for apparent damage and correct fit before handling the load.

Weight of the load

The specified load bearing capacity of the fixture may not be exceeded by the mass of the suspended load at rest.

4.5. Maintenance and cleaning

Regular maintenance considerably increases the service life of the fixture. The load handling device has to be cleaned if it gets dirty. All components must be cleaned so they are free of oil, dirt and corrosion. Any cleaning method that does not attack the base material is permitted. Methods that can cause hydrogen embrittlement, overheating, material removal or material deformation, or may conceal cracks or other surface defects, have to be avoided.

5. Inspection

The operating company has to ensure that load handling devices are inspected by a qualified person at least once a year.

Depending on the conditions under which the load handling device is used, inspections may be necessary at intervals shorter than one year. This applies for example in case of very frequent use, increased wear, corrosion, exposure to heat or when increased susceptibility to failure can be expected. Lifting accessories should be inspected for the absence of cracks every 3 years by qualified personnel using appropriate inspection equipment. Records of such inspections must be retained. If the user has any doubts that lifting accessories are in safe condition, the lifting accessory should be taken out of use and inspected by qualified personnel.

5.1 Maintaining proof of inspections

The operating company has to ensure that proof of the inspections of load handling devices is maintained. (See point 5.3. for a template that can be copied)

Such proof has to include the following:

- ❖ Date and scope of the inspection with information about any partial inspections that are still pending.
- ❖ Result of the inspection including any defects that were found.
- ❖ Assessment in case of concerns regarding continued use.
- ❖ Information about required follow-up inspections.
- ❖ Name and if applicable address of the inspector.

The Employer's Liability Insurance Association may demand that proof of inspections be maintained for other inspections on a case-by-case basis.

Proof of inspections must be submitted to the supervisor on request. Therefore, they must be stored so they are readily accessible at all times.

The recurring inspections encompass a visual inspection and functional tests. They essentially extend to the integrity, suitability and effectiveness of the safety devices as well as the condition of the load handling device in regards to damage, wear, corrosion or other changes. Disassembly may be required for the assessment of wear parts.

5.2. Inspection criteria

If the following defects or disruptions occur, the fixture must be taken out of use for maintenance, repair or entirely:

- ❖ Identification of the load bearing capacity or proof of identity are illegible
- ❖ Permanent deformation of the components
- ❖ Wear
- ❖ Incomplete load handling device
- ❖ Damaged components: cracks, notches, grooves
- ❖ Surface damage: corrosion, discolouration due to heat

5.3. Template for proof of inspection

Type:

Serial number:

Year of manufacture:

Manufacturer: **Werner Weitner GmbH**


Load bearing capacity:

Operating company:

<u>Inspection prior to initial use</u>	<u>Inspector:</u>	<u>Date:</u>	<u>Signature:</u>
Inspection findings:			
<u>Inspection no.:</u>	<u>Inspector:</u>	<u>Date:</u>	<u>Signature:</u>
Inspection findings:			
<u>Inspection no.:</u>	<u>Inspector:</u>	<u>Date:</u>	<u>Signature:</u>
Inspection findings:			
<u>Inspection no.:</u>	<u>Inspector:</u>	<u>Date:</u>	<u>Signature:</u>
Inspection findings:			
<u>Inspection no.:</u>	<u>Inspector:</u>	<u>Date:</u>	<u>Signature:</u>
Inspection findings:			
<u>Inspection no.:</u>	<u>Inspector:</u>	<u>Date:</u>	<u>Signature:</u>
Inspection findings:			
<u>Inspection no.:</u>	<u>Inspector:</u>	<u>Date:</u>	<u>Signature:</u>
Inspection findings:			
<u>Inspection no.:</u>	<u>Inspector:</u>	<u>Date:</u>	<u>Signature:</u>
Inspection findings:			

EC declaration of conformity

according to the EC Machinery Directive 2006/42/EC, Annex IIA

<p>We hereby declare that the device designated below, based on its concept and design and in the version brought to market by us, meets the fundamental safety and health requirements of the EC Machinery Directive. If this device is a part that is installed in other machines or similar, we hereby point out that our device may only be put into operation after ensuring that this higher-level machine also meets the requirements of the aforementioned directive. Changes to the machine or device which have not been coordinated with us invalidate this declaration.</p>	
<u>Machine designation:</u>	Assembly Fixture
<u>Machine type:</u>	635.29.002.000 Serial no.:
<u>Intended use:</u>	Repair purposes according to current repair manual
<u>Applicable EC directives:</u>	EC Machinery Directive (2006/42/EC)
<u>Applied harmonised standards:</u>	DIN EN ISO 12100; DIN EN 13155
<u>Applied national standards:</u>	DGUV 100-500 Section 2.8
<u>Authorised documentation representative:</u>	Wolfgang Wiesent, Sollnau 14, 85072 Eichstätt, Germany
<u>Date/manufacturer signature:</u>	03/2018 
<u>Information about the undersigned:</u>	Managing Director
<p>Formal requirements:</p> <ul style="list-style-type: none"> - Completion in block letters or by machine - Official language for the country of the user - Legally binding signature(s) 	
<ul style="list-style-type: none"> - Original for project folder - Copy for the customer 	