

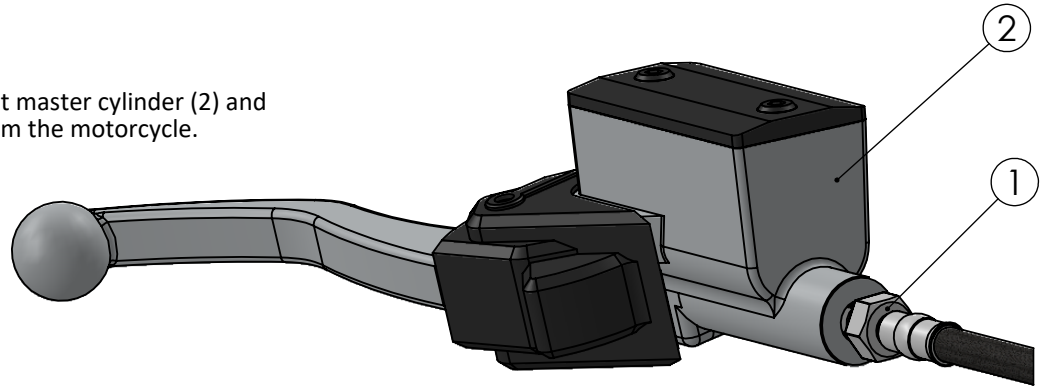
Brake line mounting instructions

This manual applies to article: 212050 - 212051

Thank you for purchasing this Moto-Master performance product. Please read these instructions carefully before attempting installation. *

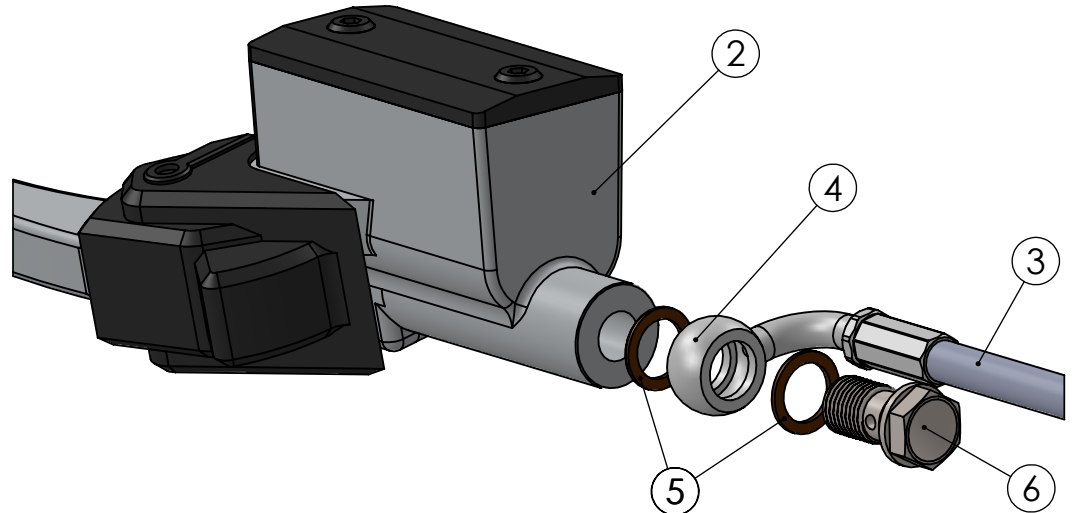
Step 1

Unscrew the brake line (1) from the front master cylinder (2) and the front brake caliper and remove it from the motorcycle.



Step 2

Install the new Moto-Master brake line (3) on to the motorcycle. Make sure to mount the 90° banjo (4) in between 2 new copper washers (5) to the the front master cylinder (2) using the supplied banjo bolt (6). Tighten the banjo bolts with torque amount according to the bike service manual specifications.



Step 3

Fill the brake system with brake fluid which meets the requirements of the bike service manual specifications. Bleed the brake system off all air according to the bike service manual instructions.

Position the brake line in a way it can't buckle or become kinked when the front forks are compressed. Select the tube take-off so that the brake line can't be damaged by the tire or moving parts. Do not torque-load (twist) the brake line when tightening the banjo bolt and align the brake line in such a way that no lateral forces arise. This brake line kit includes 4 copper seal washers. Use only new copper seal rings to prevent leakage of banjo/bolt connection.

Before every trip: Check the brake system while stationary. Hold the lever pulled in at pressure (pressure point). In the case of a "soft" point or pressure loss, check brake system for leakage. Also re-bleeding the system may be required. When in doubt, do not operate your motorcycle. Have a certified mechanic inspect your brake system. If the pressure point has not been reached in two-thirds of the lever path, actuate the lever several times ("pump it") until the pads are applied to the brake disc.

*Consult a certified dealer or professional mechanic if you are not fully qualified in motorcycle maintenance. Moto-Master cannot be held responsible for any damage or injury caused by incorrect mounting, disregarding specifications and these instructions, or product mounting by an unqualified third party.



For more info, check:

WWW.MOTO-MASTER.COM